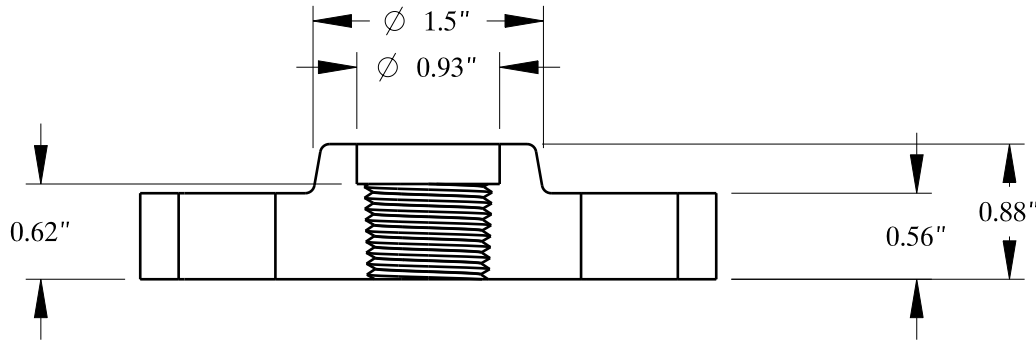
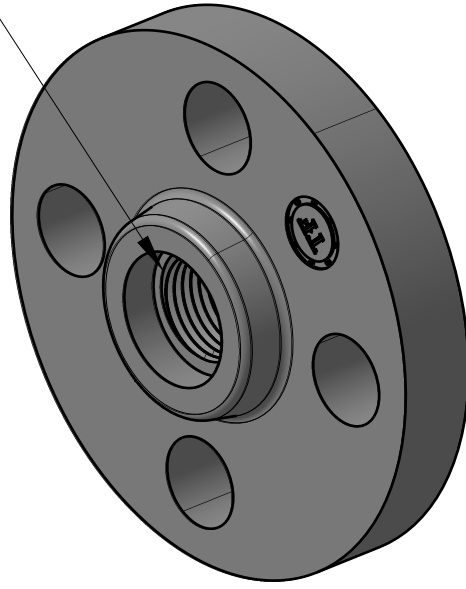


1/2-14 NPT



SIZE:	1/2" NOM. PIPE
TYPE:	600-THREADED-FF-FLANGE
PO Box 2889 Pearland, TX 77588 PH: 800-826-3801 FAX: 281-484-8730 <a href="http://www.texasflange.com">www.texasflange.com</a>	