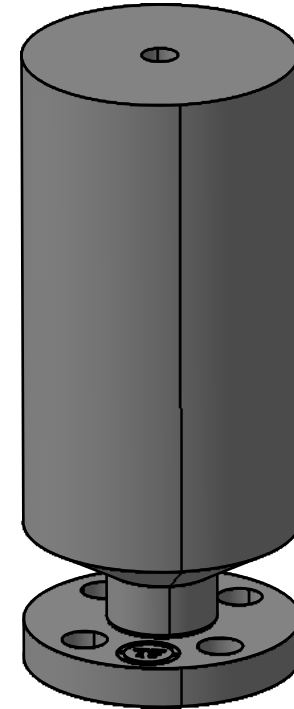
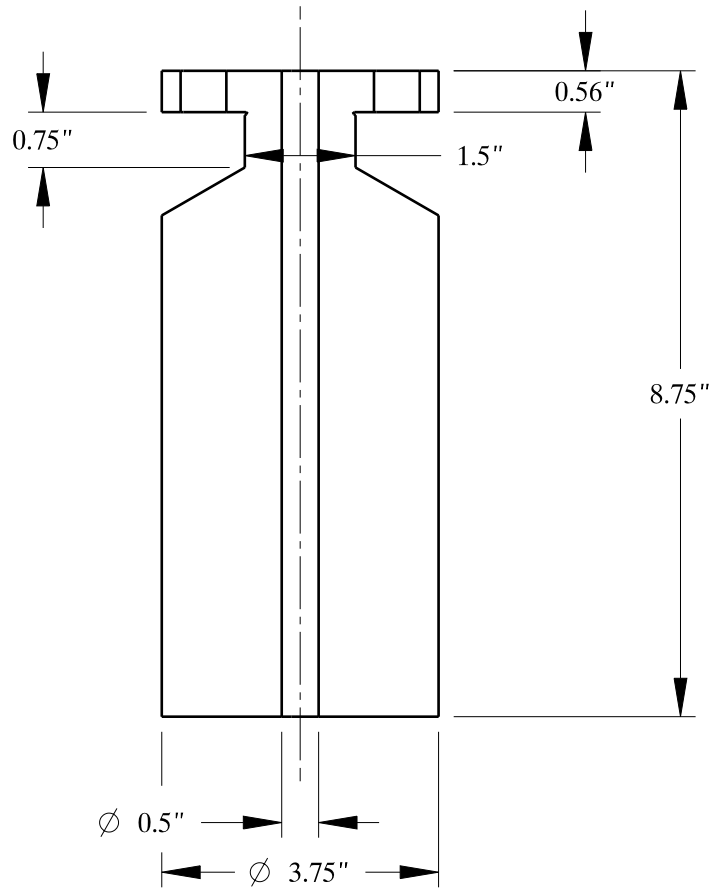
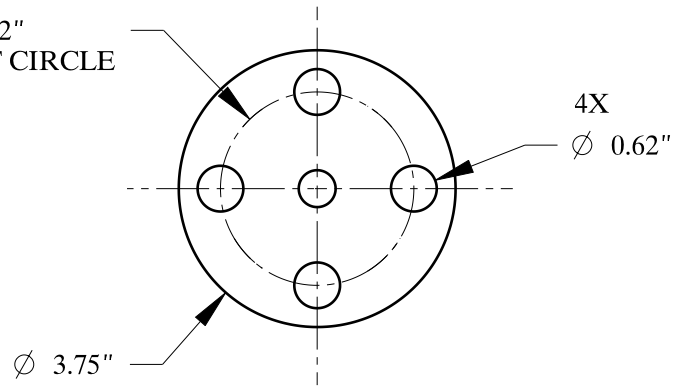


Ø 2.62"  
BOLT CIRCLE



SIZE: NOM. PIPE SIZE 0.5 INCH  
TYPE: 400-EB-FF-STD-CONN-FLANGE



**Texas**  
**Flange**

PO Box 2889  
Pearland, TX 77588  
PH: 800-826-3801  
FAX: 281-484-8730  
www.texasflange.com