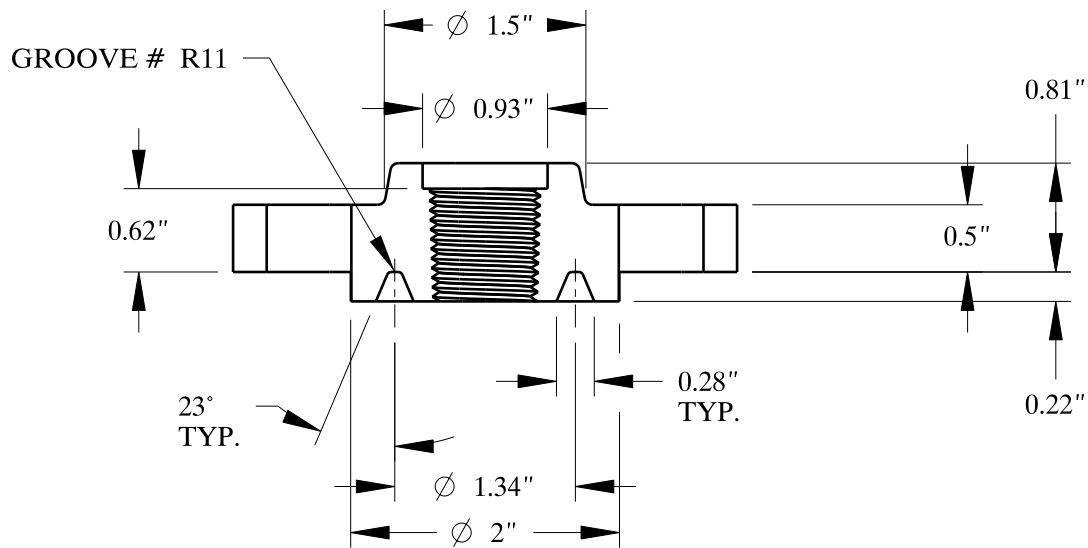
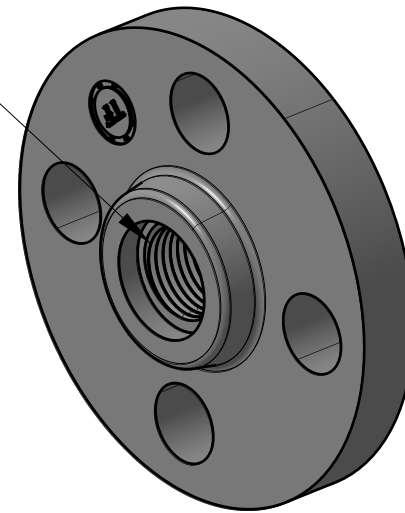


1/2-14 NPT



SIZE: 1/2" NOM. PIPE  
 TYPE: 300-THREADED-RTJ-FLANGE



**Texas**  
**Flange**

PO Box 2889  
 Pearland, TX 77588  
 PH: 800-826-3801  
 FAX: 281-484-8730  
[www.texasflange.com](http://www.texasflange.com)