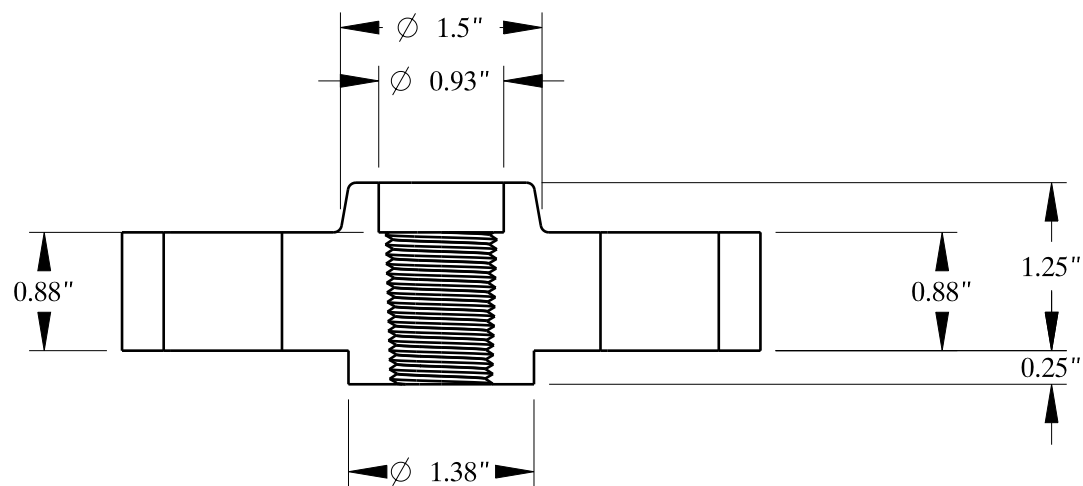
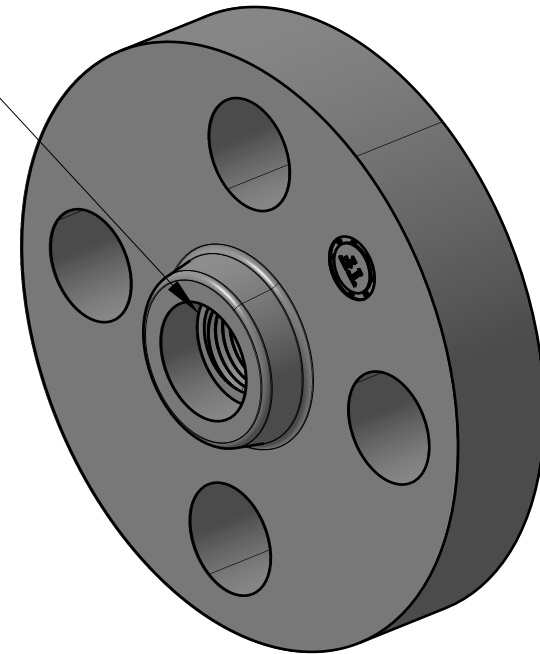


1/2-14 NPT



SIZE: $\frac{1}{2}$ " NOM. PIPE
 TYPE: 1500-THREADED-RF-FLANGE



Texas
Flange

PO Box 2889
 Pearland, TX 77588
 PH: 800-826-3801
 FAX: 281-484-8730
www.texasflange.com