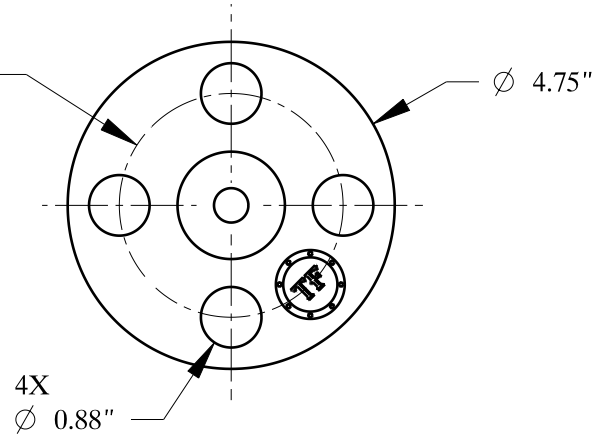


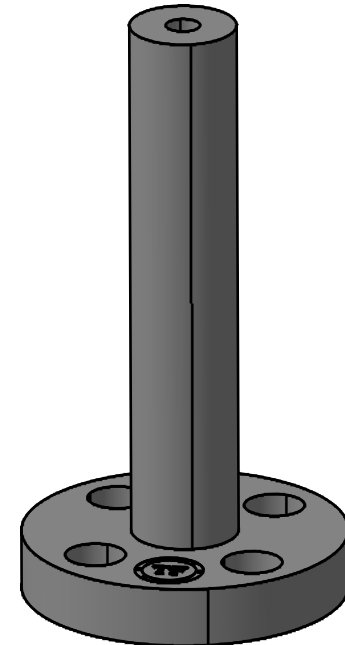
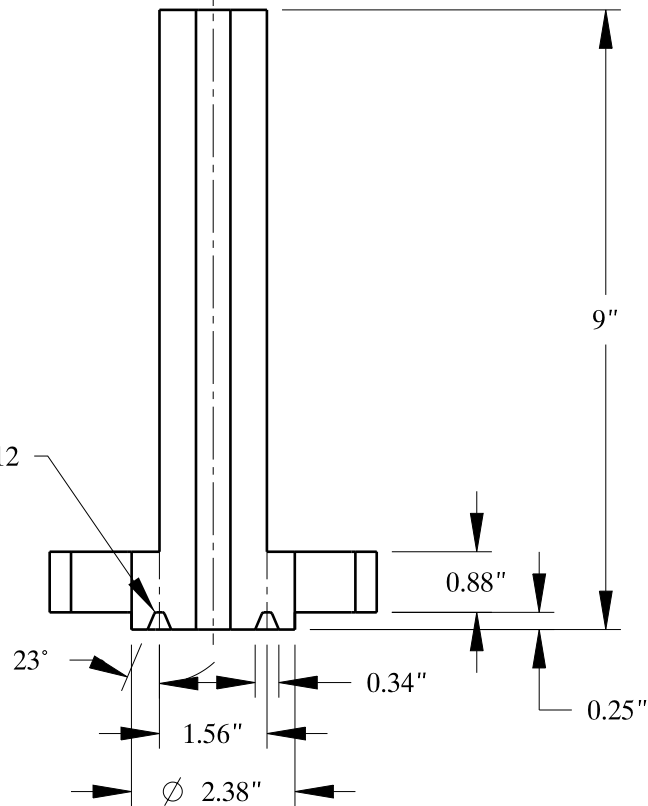
Ø 3.25"
BOLT CIRCLE



4X
Ø 0.88"

Ø 1.56"
Ø 0.5"

GROOVE # R12



SIZE: NOM. PIPE SIZE 0.5 INCH

TYPE: 1500-LWN-RTJ-STD-CONN-FLANGE



Texas
Flange

PO Box 2889
Pearland, TX 77588
PH: 800-826-3801
FAX: 281-484-8730
www.texasflange.com